

SemperLite Power Series

Universal AC Surge Suppressor for UPS Devices

Application: The SemperLite Power is a robust surge protection device with a wide range of input voltage, designed to protect mission critical equipment from failure due to lightning strikes and other transients.

Features

- TMOV Technology
- Solid State Diagnostics
- Bi-Directional
- <5nS Response Times
- 80,000A per Phase (Tested Capacity)
- Low Impedance Construction
- Thermal and Short Circuit Fusing for Safety
- 100-240VAC/50/60Hz
- 15 Amps Max.
- Ten Year Warranty
- Made in USA

Mechanical Specifications

Enclosure: Durable, lightweight, corrosion resistant, rugged metal

Dimensions (All Models, excluding cables & accessories): 5.8" x 3.7" x 1.17" (14.7cm x 9.4cm x 4.3cm)

Weight (All Models, excluding cables & accessories): 2.8 lbs. (1.27 Kg)

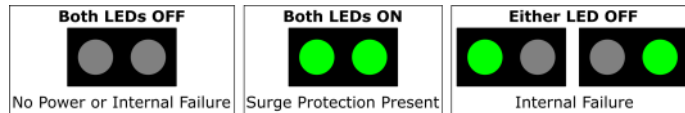
Mounting (Excluding the AT94008): Surface Mount via four 0.17" (4mm) diameter holes

Operating Temperature: -40° to +176°F (-40° to +80°C)

Altitude: Up to 16,000 feet (5,000 meters)

Electrical Specifications

Status Indication:



Safety Fusing: Thermal & Short Circuit Fusing



AT94007-2100
5.8" x 3.7" x 2.37"
(14.7cm x 9.4cm x 4.3cm)



AT94006-11DD
5.8" x 3.7" x 2.37"
(14.7cm x 9.4cm x 4.3cm)



AT94008-00DP-AA
5.8" x 3.7" x 2.37"
(14.7cm x 9.4cm x 4.3cm)

Part Number	Supply Voltage	Cat B		Cat C		Surge Capacity	MCOV	VPR	Power Input	Power Output	Cable Length
		3kA 8/20µs	10kA 8/20µs	Technology	Technology						
AT94000-xxxx	100-240V 1Ø	890V	1200V	TMOV	TMOV	80kA	320V	800V	C20	C19	12"
AT94001	Accessory 25-Foot Power Cable, NEMA5-20P to C19										
AT94002-xxxx	100-240V 1Ø	890V	1200V	TMOV	TMOV	80kA	320V	800V	C20	C19	30"
AT94003*	100-240V 1Ø	890V	1200V	TMOV	TMOV	80kA	320V	800V	C14	C13	30"
AT94004	Accessory 25-Foot Power Cable, NEMA5-15P to C13										
AT94005-xxxx	100-240V 1Ø	890V	1200V	TMOV	TMOV	80kA	320V	800V	C14	C13	12"
AT94006-xxxx	100-240V 1Ø	890V	1200V	TMOV	TMOV	80kA	320V	800V	NEMA 5-15P	NEMA 5-15R	6" each
AT94007-xxxx	100-240V 1Ø	890V	1200V	TMOV	TMOV	80kA	320V	800V	C14	C13	30"
AT94008-xxxx	100-240V 1Ø	890V	1200V	TMOV	TMOV	80kA	320V	800V	C14	X3 NEMA 5-15R	-

Replace "xxxx" part number suffix for optional features. See next page.

*AT94003 has been superseded by AT94007-xxxx, with additional features.

Tested per ANSI/IEEE C62.45 and ANSI/IEEE C62.41

Independently NTRL tested and found to conform to Standard for Safety, Surge Protective Devices 1449 test requirements for SPD Type 3

SemperLite Options

Optional meters can be added to the SemperLite to provide more information about the power source being used. Picatinny and DIN rail mounts can also be provided for attaching additional ATS surge products. To specify the type of SemperLite you'd like to order, choose the features using the option codes below.

The example below shows how to create a part number for a SemperLite with a C14 input, a 12" C13 output, a green multimeter, DIN rail on the left, Picatinny rail on the right and two USB-A ports.

AT94 005 - 1 1 D P - AA

Series	Version	Display Type	Display Color	Left Mounts	Right Mounts	USB Ports
All Styles from the SemperLite Series.	Version code for required inputs/outputs. See previous page for details.	0 = No Display 1 = Multimeter 2 = Voltmeter	0 = N/A 1 = Green 2 = Red 3 = Blue	0 = No Mount D = DIN Rail P = Picatinny Rail	0 = No Mount D = DIN Rail P = Picatinny Rail	AA = 2 USB-A AC = 1 USB-A, 1 USB-C CC = 2 USB-C



AT94006-22DP
Red Voltmeter with Lefthand DIN Rail/
Righthand Picatinny Rail Mounts



AT94006-12DP, Red Multimeter with
Lefthand DIN Rail/Righthand Picatinny
Rail Mounts

Semper4CAT6A, Picatinny
Mountable Network
Protection Module



AT94xxx-1100
Green Multimeter



AT94xxx-2200
Red Multimeter

Multimeter Specifications

Measurement Limits	Min.	Typ.	Max.	Units
AC Voltage	85.0	-	264.0	Volts
AC Current, 32A	0.0	-	32.0	Amperes
Active Power, 32A	0	-	9999	Watts
Frequency	47.0	-	63.0	Hz
Power Factor	.00	1.00	-	-
Overcurrent Rating	1.5 x rated full-scale current			

Performance

Sampling Rate	2-3 samples / sec		
Voltage Accuracy			±1%
Current Accuracy			±1%
Power Accuracy			±2%
Frequency Accuracy			±0.1%
Power Factor Accuracy			±3%
Measurement Bandwidth	140Hz (Voltage), 14kHz (Current)		
Temperature Drift (0 to 60°C)	0.5 Counts/°C		
Zero-Current Reading (within 2 sec.)	0.00		Amps
Zero-Power Reading (within 2 sec.)	0		Watts
UL/IEC61010-1	Measurement Category II		

Voltmeter Specifications

Input

Voltage Range	85-264Vrms
UL/IEC61010-1	Measurement Category II
Frequency Range	47-63Hz
Current Consumption	50mArms (max.)

Performance

Sampling Rate	2.5 readings/second
Measurement Type	Half-wave average, rms calibrated for sinusoidal input
Accuracy@ +25°C	±1V (typ.), ±2V (max.)
Temperature Drift (-25 to 60°C)	±0.15 Volts/°C (max.)

Related ATS Products

Semper4CAT6A & RackShield II Modules

The Semper4CAT6A is a network surge protector that can be easily installed onto the SemperLite Power AT94006 and AT94007 surge protector, alongside network and coax RackShield II modules to create customizable surge installations. Built-in DIN rail clips share the SemperLite's source of ground between all connected modules.



Semper4CAT6A
With DIN Rail and Clips



Semper4CAT6A
With Picatinny Rail Mounts



RSII Modules:
AT25012 (CAT6), AT25017 (Type-F),
AT25014 (BNC), AT25016 (TNC)



AT25001-D (10/100 BaseT)

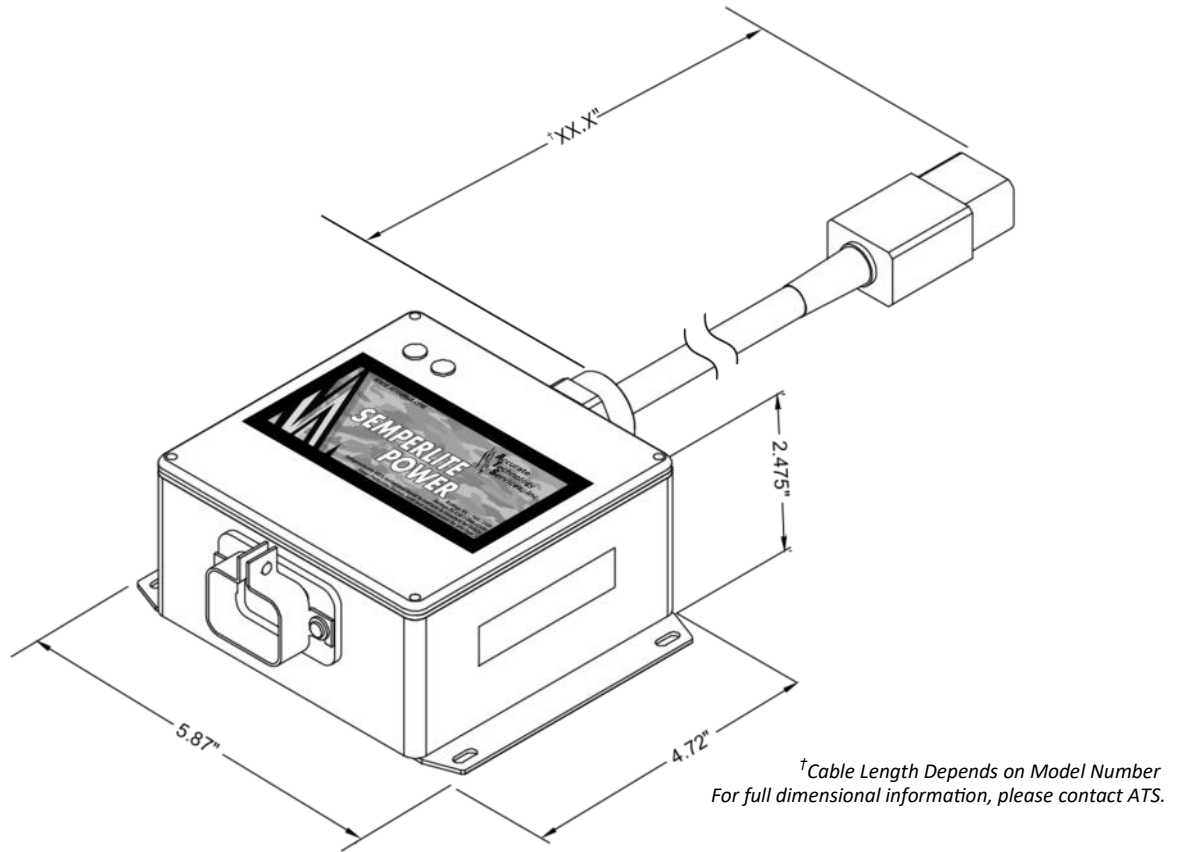


AT94007-00DD
with modules



AT94006-00DD
with modules

Dimensions



Dimensions for AT94006-00DD

